

The Cervélo accessory mount system integrates the management of your computer, lighting and low-volume storage needs, into your Cervélo handlebar, stem, and seatpost. Offering a wide range of adjustability, the system is designed to interface with computers using a ¼ turn interface, and any accessories compatible with the GoPro-style connectors.

Please take note of the compatibility overview, as the accessory mounts are unique to Cervélo designed components.

MT-521A	MT-LM-F-004	MT-LM-F-371	MT-LM-R-003
Compatible with the Cervélo ST31 LT stem	Compatible with all Cervélo slotted faceplate stems	Compatible with Cervélo AB08 (S5) & EX11 (P5) handlebars	Compatible with Cervélo road seatpost models
ST31 LT	CS026	AB08 (S5)	SP18
	CS027		SP19
	ST29	EX11 (P5)	SP20
	ST31		SP24
	ST32		

cervélo

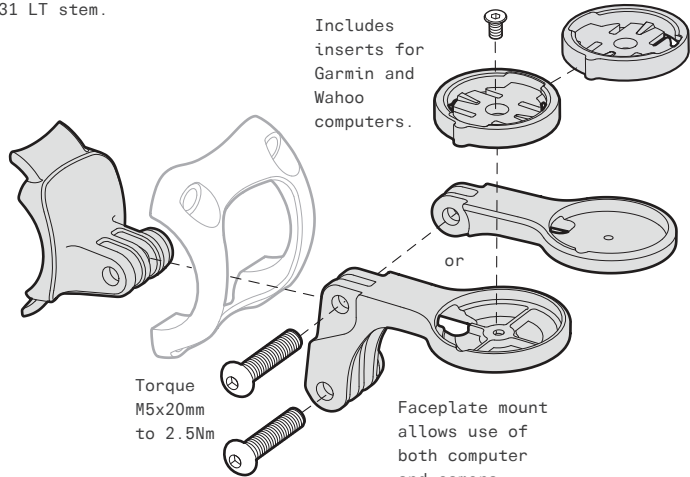
ST31 LT COMPUTER/ACCESSORY MOUNT

MT-521A

Compatible with the Cervélo ST31 LT stem.

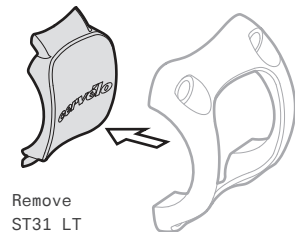
Torque M3x6mm to 1Nm

Includes inserts for Garmin and Wahoo computers.

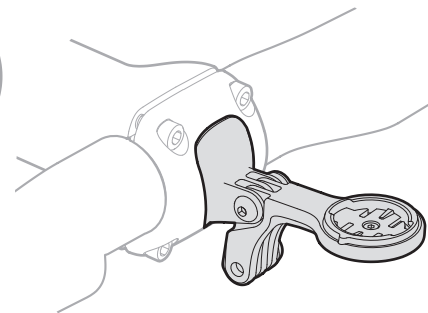


Torque M5x20mm to 2.5Nm

Faceplate mount allows use of both computer and camera.



Remove ST31 LT faceplate insert.



ACCESSORY MOUNT KIT (FRONT)

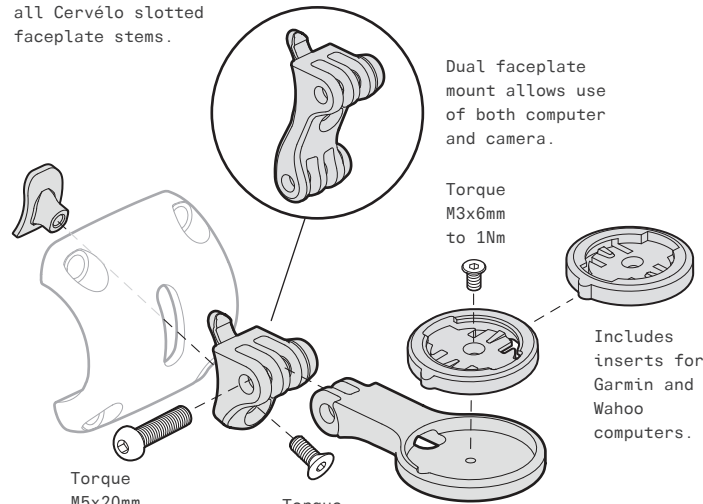
MT-LM-F-004

Compatible with all Cervélo slotted faceplate stems.

Dual faceplate mount allows use of both computer and camera.

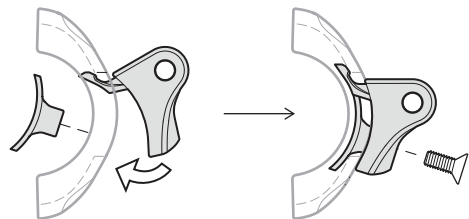
Torque M3x6mm to 1Nm

Includes inserts for Garmin and Wahoo computers.



Torque M5x20mm to 2.5Nm

Torque M4x10mm to 2Nm



Angle into the slotted stem faceplate and torque to 2Nm.

TWO-BOLT MOUNT ACCESSORY KIT (FRONT)

MT-LM-F-371

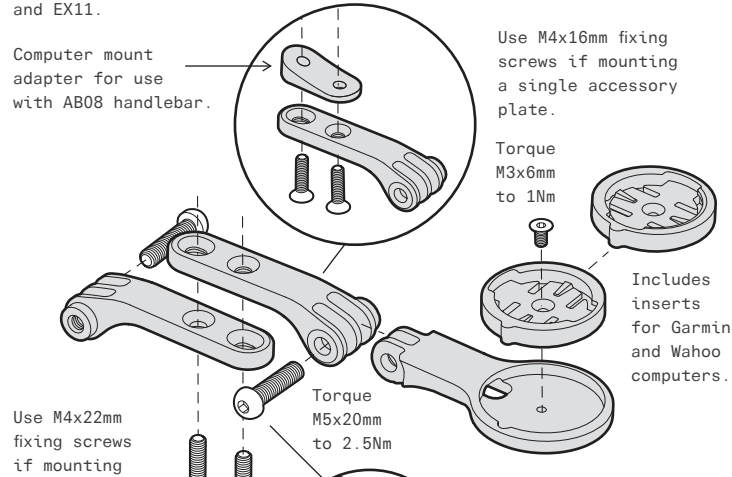
Compatible with Cervélo handlebar models AB08 and EX11.

Computer mount adapter for use with AB08 handlebar.

Use M4x16mm fixing screws if mounting a single accessory plate.

Torque M3x6mm to 1Nm

Includes inserts for Garmin and Wahoo computers.



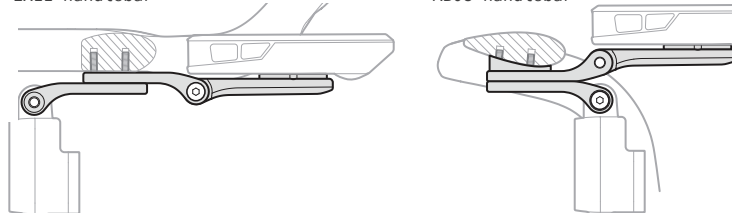
Use M4x22mm fixing screws if mounting dual accessory plates. Torque to 2Nm.

Torque M5x20mm to 2.5Nm

Thumb screw can be used in place of M5x20mm fixing screw with EX11 handlebar.

EX11 handlebar

AB08 handlebar



ACCESSORY MOUNT KIT (REAR)

MT-LM-R-003

Compatible with Cervélo road seatpost models SP18, SP19, SP20, and SP24.

Torque M5x20mm to 2.5Nm

For use without accessory, clip may be hidden, by reversing the upper clamp.

Replace the rear upper clamp of the seatpost with the kit. Tighten to maximum 8Nm.

